

design | strategy | vision



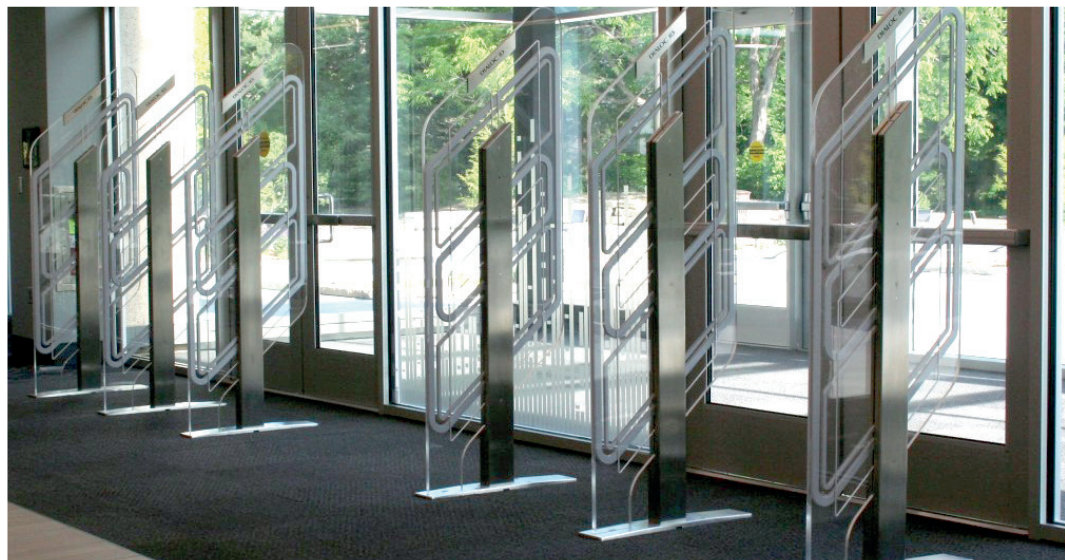
SOLUTIONS FOR EVERY LIBRARY.

Dialoc ID has a history of more than 30 years with library focused sales.

Dialoc ID offers library solutions in EM, RFID (HF & UHF) and Hybrid (EM/HF & EM/UHF) technology. Our products are well-known for their excellent performance, reliability and modern design, that fit every library environment. The Dialoc ID products are sold & installed all around the world.



DialocID global library solutions





Diamond™
EM Premium
EM security
detection system

The Diamond™ EM Premium system reduces unauthorized removal of library items by detecting the EM tags in any orientation.



Diamond™ EM Premium

EM security detection system

With its modern transparent looks – high density plexiglass in combination with a solid stainless steel construction - the Diamond™ EM Premium system gives an extremely luxurious appearance to any library environment.

The Diamond™ EM Premium system reduces unauthorized removal of library items by detecting the EM tags in any orientation.

Specifications

Detection:

Depending on the type and size of EM tag

- Single aisle width System 2: up to 0.90 meter
- Dual aisle width System 3 : up to 1.80 meter

Features

- Fully digital configuration (DSP)
- Visual and audio alarm
- Advanced electromagnetic EM technology
- Remote maintenance
- Magnetic media safe
- Multiple gate solutions are possible

EM specification:

- Operating frequency: 366 Hz.
- Supported tags: all Dialoc ID EM tags and various EM tag suppliers

Option:

- People counter with display

Interface:

CAN

Dimensions:

Antenna: 655 x 100 x 1900 mm (w x d x h)

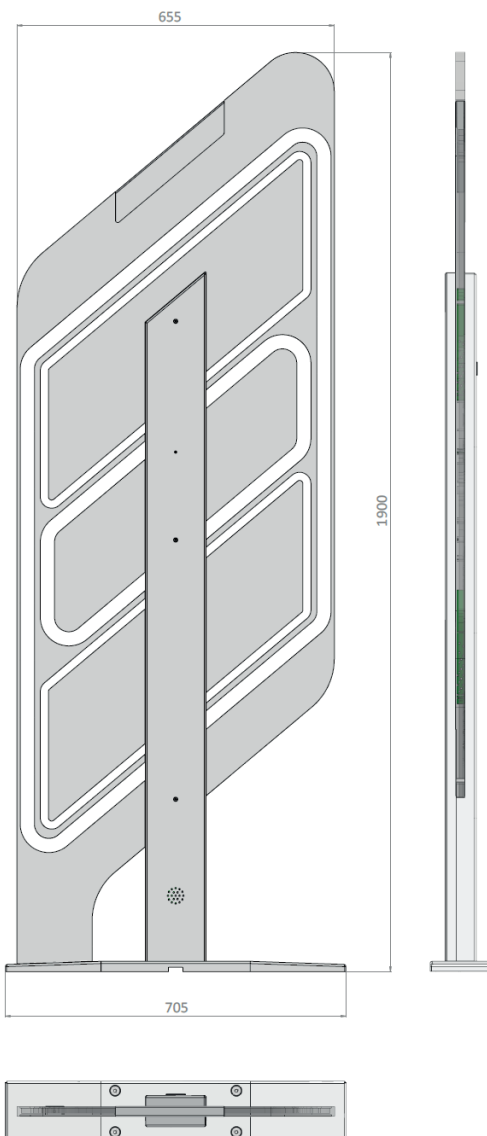
Base : 705 x 120 x 20 mm (w x d x h)

Material:

Panel: High density clear PMMA 20mm plexiglass, weather and UV resistant, 92% light transmission

Base: Stainless steel

Weight: 34kg.





Diamond™
HF Premium
RFID security
detection system

The Diamond™ HF Premium system reduces unauthorized removal of library items by detecting the RFID tags in any orientation.



Diamond™ HF Premium

RFID security detection system

With its modern transparent looks – high density plexiglas in combination with a solid stainless steel construction - the Diamond™ HF Premium system gives an extremely luxurious appearance to any library environment.

The Diamond™ HF Premium system reduces unauthorized removal of library items by detecting the RFID tags in any orientation.

Specifications

Detection:

Depending on the size and type of HF tag:

- Single aisle width System 2: up to 1.20 meter
- Dual aisle width System 3 : up to 2.40 meter

Features

- Fully digital configuration (DSP)
- Visual and audio alarm
- Advanced radio frequent identification (RFID) technology
- Remote maintenance
- Magnetic media safe
- Multiple gate solutions are possible

RFID specification:

- Operating frequency: 13,56 MHz.
- Transmitting power: 3 W
- Supported tags: ISO 15693, NXP SLI and NXP SLI X

Option:

- People counter with display

Interface:

Ethernet (TCP/IP), USB, RS232

Dimensions:

Antenna: 655 x 100 x 1900 mm (w x d x h)

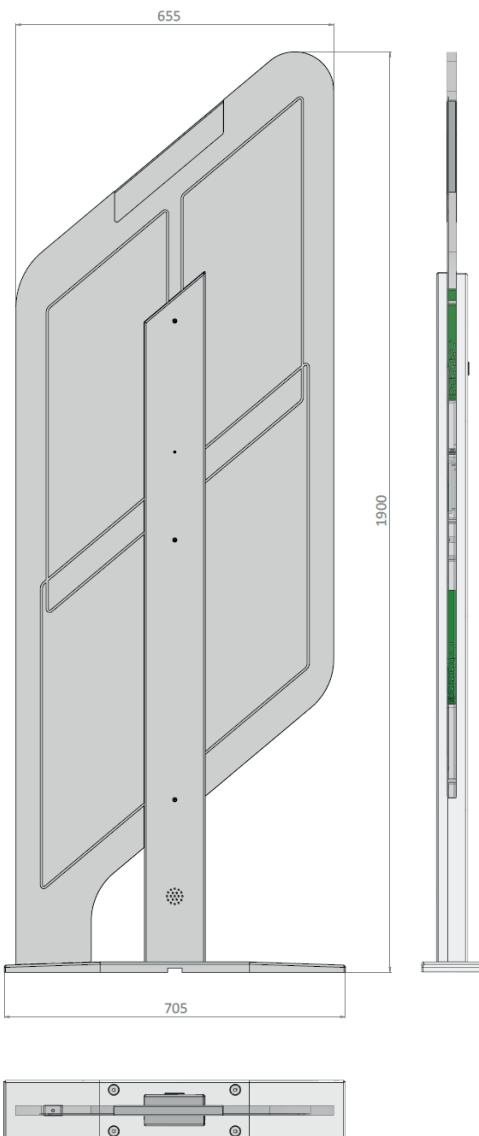
Base : 705 x 120 x 20 mm (w x d x h)

Material:

Panel: High density clear PMMA 20mm plexiglass, weather and UV resistant, 92% light transmission

Base: Stainless steel

Weight: 32kg.





**Diamond™ Hybrid
EM/HF Premium**
Hybrid security
detection system

The Diamond™ Hybrid Premium system reduces unauthorized removal of library items by detecting the EM & RFID tags in any orientation.



Diamond™ Hybrid EM/HF Premium

Hybrid security detection system

With its modern transparent looks – high density plexiglass in combination with a solid stainless steel construction - the Diamond™ Hybrid Premium system gives an extremely luxurious appearance to any library environment.

The Diamond™ Hybrid Premium system reduces unauthorized removal of library items by detecting EM & RFID tags in any orientation.

Specifications

Detection:

Depending on the size and type of tag:

- Single aisle width System 2: up to 0.90 meter
- Dual aisle width System 3 : up to 1.80 meter

Features

- Fully digital configuration (DSP)
- Visual and audio alarm
- Advanced electromagnetic EM technology
- Advanced radio frequent identification (RFID) technology
- Remote maintenance
- Magnetic media safe
- Multiple gate solutions are possible

EM / RFID specification:

- Operating frequency: 366 Hz. / 13,56 MHz.
- Supported tags: all Dialoc ID EM tags and various EM tag suppliers
- ISO 15693 RFID tags, NXP SLI and NXP SLI-X

Option:

- People counter with display

Interface:

Ethernet (TCP/IP), USB, RS232, CAN

Dimensions:

Antenna: 655 x 100 x 1900 mm (w x d x h)

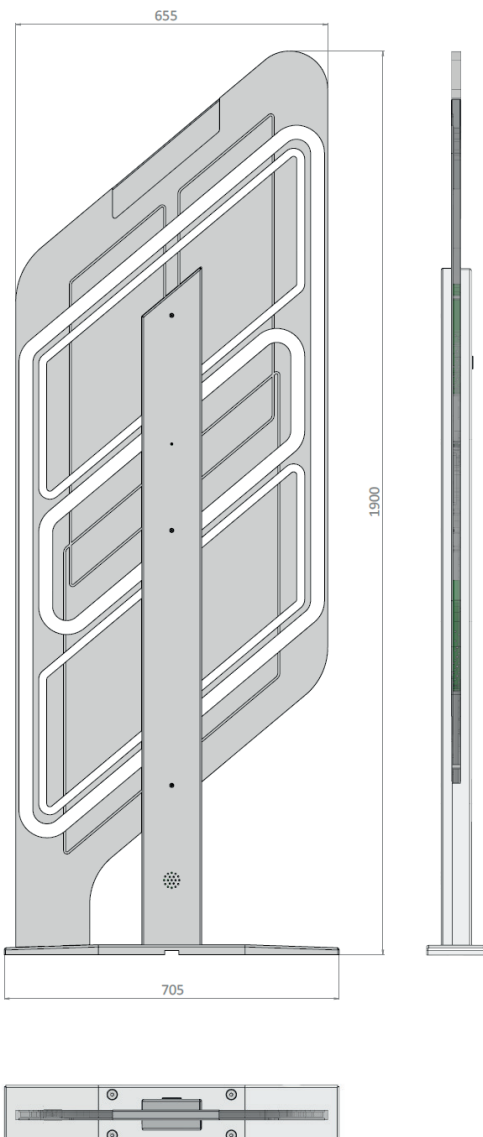
Base : 705 x 120 x 20 mm (w x d x h)

Material:

Panel: High density clear PMMA 20mm plexiglass, weather and UV resistant, 92% light transmission

Base: Stainless steel

Weight: 36 kg.



Ellipse 2020

EM security detection system

The Ellipse 2020 is an already proven and established system in the range of Dialoc ID EM systems. Designed to create optimal effectiveness for security in any library environment.

The Ellipse 2020 system reduces unauthorized removal of library items by detecting EM tags and using high quality advanced EM technology.

Specifications

Defection:

Depending on the type and size of EM tag

- Single aisle width System 2: up to 1.00 meter
- Dual aisle width System 3: up to 2.00 meter

Features

- Fully digital configuration (DSP)
- Visual and audio alarm
- Advanced electromagnetic (EM) technology
- Remote maintenance
- Magnetic media safe
- Multiple gate solutions are possible

EM specification:

- Operating frequency: 366 Hz.
- Supported tags: All Dialoc ID EM tags and various EM tag suppliers

Option:

- People counter with display
- Removable antennabase

Interface:

- CAN

Dimensions:

Antenna: 460T/748B x 44 x 1812 mm. (w x d x h)

Base: 795 x 10 x 15 mm. (w x d x h)

Material:

Antenna: Polyurethane with dove-grey finish

Base : Powder coated aluminum

Weight: 22 kg.



Pentor 3030™

EM security detection system

The Pentor 3030™ is an already proven and established system in the range of Dialoc ID EM systems. The system provides crystal clear protection for libraries who require optimal performance and transparency.

The Pentor 3030™ system reduces unauthorized removal of library items by detecting EM tags and using high quality advanced EM technology.

Specifications

Defection:

Depending on the type and size of EM tag

- Single aisle width System 2: up to 0.90 meter
- Dual aisle width System 3: up to 1.80 meter

Features

- Fully digital configuration (DSP)
- Visual and audio alarm
- Advanced electromagnetic (EM) technology
- Remote maintenance
- Magnetic media safe
- Multiple gate solutions are possible

EM specification:

- Operating frequency: 366 Hz.
- Supported tags: All Dialoc ID EM tags and various EM tag suppliers

Option:

- People counter
- Removable antennabase

Interface:

- CAN

Dimensions:

Antenna: 730 x 18 x 1490 mm. (w x d x h)

Base: 732 x 95 x 10 mm. (w x d x h)

Material:

Antenna: Scratch-resistant clear acrylic

Base : Anodized aluminum

Weight: 25 kg.





Sapphire™ EM Self service Circulation system

Today self-service in libraries is a powerful and crucial service to patrons. The Sapphire™ is an ergonomically designed hi-tech self service unit that fits perfectly into the logistic process.

It's modular construction gives all the flexibility to libraries who want to migrate to different identification technology today and in the future.

The Sapphire™ EM Self service seamlessly combines barcoding technology for the identification of items and

patron cards with EM technology for optimal security of items by (de) activating the EM tags after successful registration of items. This simple, one-move handling improves efficiency, accuracy and security in a user friendly environment.

The 22" HD touch screen together with the integrated receipt printer, EM (de)activator, barcode scanners for items and cards are designed in one compact stylish high-quality housing, and therefore easy to relocate in a library.

Sapphire™ EM Self service Circulation system

The Sapphire™ self service unit comes standard with full circulation software including check-in, check-out and renew functions, preconfigured to connect to an LMS (Library Management Software) through SIP2 which is completely supported.

Options

The Sapphire™ self service unit is delivered in beige/grey color. Upon request other colors are available.

Specifications

Dimensions

- Height : 663 mm
- Width : 638 mm
- Depth : 568 mm

Material: stainless steel, Corian™

Weight: 37 kg

Functions: Self service: Check -in, check-out

Compatibility: SIP2

Standard: ISO 15.693 / 18.000-3.1 / ISO 28560 / ISO 14443

Certifications: CE / EMC

Check-in / check-out materials: Books / Magazines / Media

Touch PC:

High quality 16:9 Full HD 22" LCD screen with a wide view angle VA panel. Dust and water proof. (IP65), Chip-set: Intel® QM77, CPU: Intel® 2nd and 3rd generation Intel Core™ i3, i5, i7, mobile processor TPD > 35W

Printer:

Thermal line printing with a 200 dpi print head, print speed of 250mm/second, assuring crisp, clear receipts and eye-catching logos.

Item Identification: 2D barcode imager

Patron identification: 2D barcode imager

Item protection: EM technology. (EM (de) activator)

Software option: Dialoc library software* pre-installed and pre-configured. It supports LMS/1LS protocols SIP2 and is data model independent. Access to the library network via Ethernet is required.

Upon request the Sapphire™ self service unit can be delivered without software.

Power: 230 V

Environmental facts: Temperature: + 10°C <> + 45°C



Color options:





Sapphire™ HF Self service Circulation system

Today self service in libraries is a powerful and crucial service to patrons. The Sapphire™ is an ergonomically designed hi-tech self service unit that fits perfectly into the logistic process.

It's modular construction gives all the flexibility to libraries who want to migrate to different identification technology today and in the future.

The Sapphire™ HF self service unit seamlessly combines barcoding- or RFID technology for the identification patron

cards with RFID technology for optimal security of items by (de) activating the RFID tags after successful registration of items. This simple, one-move handling improves efficiency, accuracy and security in a user friendly environment.

The 22" HD touch screen together with the integrated receipt printer, RFID readers and barcode scanners for cards are designed in one compact stylish high-quality housing, and therefore easy to relocate in a library.



Sapphire HF Self service Circulation system

The Sapphire™ self service unit comes standard with full circulation software including check-in, check-out and renew functions, preconfigured to connect to an LMS (Library Management Software) through SIP2 which is completely supported.

Options

The Sapphire™ self service unit is delivered in beige/grey color. Upon request other colors are available.

Specifications

Dimensions

- Height : 663 mm
- Width : 638 mm
- Depth : 568 mm

Material: stainless steel, Corian™

Weight: 31 kg

Functions: Self service: Check -in, check-out

Compatibility: SIP2

Standard: ISO 15.693 / 18.000-3.1 / ISO 28560 / ISO 14443

Certifications: CE / EMC

Check-in / check-out materials: Books / Magazines / Media

Touch PC:

High quality 16:9 Full HD 22" LCD screen with a wide view angle VA panel. Dust and water proof. (IP65), Chip-set: Intel® QM77, CPU: Intel® 2nd and 3rd generation Intel Core™ i3, i5, i7, mobile processor TPD > 35W

Printer:

Thermal line printing with a 200 dpi print head, print speed 250mm/second, assuring crisp, clear receipts and eye-catching logos.

Item Identification & protection: RFID reader: 13,56 Mhz, ISO 15693

Patron identification: 2D barcode imager or RFID reader 13,56 Mhz, ISO 14443

Item protection: RFID technology (EAS and/or AFI bit)

Software option: Dialoc library software* pre-installed and pre-configured.

It supports LMS/iLS protocols SIP2 and is data model independent.

Access to the library network via Ethernet is required.

Upon request the Sapphire™ self service unit can be delivered without software.

Power: 230 V

Environmental facts: Temperature: + 10°C <> + 45°C



Color options:





Sapphire™ Hybrid EM/HF Self service Circulation system

Today self service in libraries is a powerful and crucial service to patrons. The Sapphire™ is an ergonomically designed hi-tech self service unit that fits perfectly into the logistic process.

It's modular construction gives all the flexibility to libraries who want to migrate to different identification technology today and in the future.

The Sapphire™ Hybrid self service unit seamlessly combines barcoding- or RFID technology for the identification of patron cards with EM technology for optimal security of items by (de)

activating the EM tags after successful registration of items via RFID book tags.

This simple, one-move handling improves efficiency, accuracy and security in a user friendly environment.

The 22" HD touch screen together with the integrated receipt printer, RFID readers and barcode scanners for cards, EM (de)activator for EM tags and RFID reader for RFID tags are designed in one compact stylish high-quality housing, and therefore easy to relocate in a library.

Sapphire™ Hybrid EM/HF Self service Circulation system

The Sapphire™ self service unit comes standard with full circulation software including check-in, check-out and renew functions, preconfigured to connect to an LMS (Library Management Software) through SIP2 which is completely supported.

Options

The Sapphire™ self service unit is delivered in beige/grey color. Upon request other colors are available.

Specifications

Dimensions

- Height: 663 mm
- Width: 638 mm
- Depth: 568 mm

Material: stainless steel, Corian™

Weight: 37 kg

Functions: Self service: Check -in, check-out

Compatibility: SIP2

Standard: ISO 15.693 / 18.000-3.1 / ISO 28560 / ISO 14443

Certifications: CE / EMC

Check-in / check-out materials: Books / Magazines / Media

Touch PC:

High quality 16: 9 Full HD 22" LCD screen with a wide view angle VA panel. Dust and water proof. (IP65), Chip-set: Intel® QM77, CPU: Intel® 2nd and 3rd generation Intel Core™ i3, i5, i7, mobile processor TPD > 35W

Printer:

Thermal line printing with a 200 dpi print head, print speed of 250mm/second, assuring crisp, clear receipts and eye-catching logos.

Item Identification & protection: RFID reader: 13,56 Mhz, ISO 15693

Patron identification: 2D barcode imager or RFID reader 13,56 Mhz, ISO 14443

Item protection: RFID technology (EAS and/or AFI bit)

Item protection: EM technology. (EM (de) activator)

Software option: Dialoc library software* pre-installed and pre-configured.

It supports LMS/iLS protocols SIP2 and is data model independent.

Access to the library network via Ethernet is required.

Upon request the Sapphire™ self service unit can be delivered without software.

Power: 230 V

Environmental facts: Temperature: + 10°C <> + 45°C



Color options:





RUBY™ HF SELF SERVICE Circulation system

Today self service in libraries is a powerful and crucial service to patrons.

The Ruby™ HF Self service unit is a RFID self service device with simplicity in designing and ergonomics. Its modular construction offers the library flexibility in different identification technologies today and in the future.

The Ruby™ HF Self service unit has a compact design and comes with a bright 22" touch PC and barcode patron card reader.

The pre-loaded software with the full range of check-out, check-in and renew functions is configured for connection to the library LMS through SIP2.

The software also features a mail service to send the transaction messages to the user by email, instead of printing receipts, but it is also possible to add an external printer to it.

The Ruby™ HF Self service unit can also be equipped with a Mifare card reader or a combination (Mifare / Barcode) all integrated.

RUBY™ HF SELF SERVICE

Circulation system

The Ruby™ HF Self service unit comes standard with full circulation software including check-in, check-out and renew functions, preconfigured to connect to a LMS (Library Management System) through SIP2 which is completely supported.

Options

The Ruby™ HF Self service unit is standard supplied in a white color. More than 100 other colors & designs are available upon request.

Specifications

Dimensions

- Height: 48 mm
- Width: 430 mm
- Depth: 595 mm

Material:

Shielded housing: Stainless steel

Top surface: Stainless steel & Corian™

Weight: 20 kg

Functions: Self service: Check-in / Check-out / Renew / Overview

Compatibility: SIP2

Standard: ISO 15,693 / 18,000-3.1 / ISO 28,560 / ISO 14,443

Certifications: CE / EMC

Check-in / check-out materials: Books / Magazines / Media

Touch PC:

High quality 16:9 Full HD 22" LCD screen with a wide view angle VA panel.

Item Identification & protection: RFID reader: 13,56 Mhz, ISO 15693

Patron identification: 2D barcode imager or RFID reader 13,56 Mhz, ISO 14443

Item protection: RFID technology (EAS and/or AFI bit)

Software option: Upon request the Ruby™ self service unit can be delivered without software.

Power: 230 V

Environmental facts: Temperature: + 10°C <> + 45°C



Color options:





Sapphire™ Staff Station Circulation system

The best way to manage your valuable library materials

The Sapphire™ Staff Station series is designed for converting, programming and identifying library labels in books, magazines etc.

Seamless integration of technologies

Sapphire™ Staff stations are available in 3 versions:

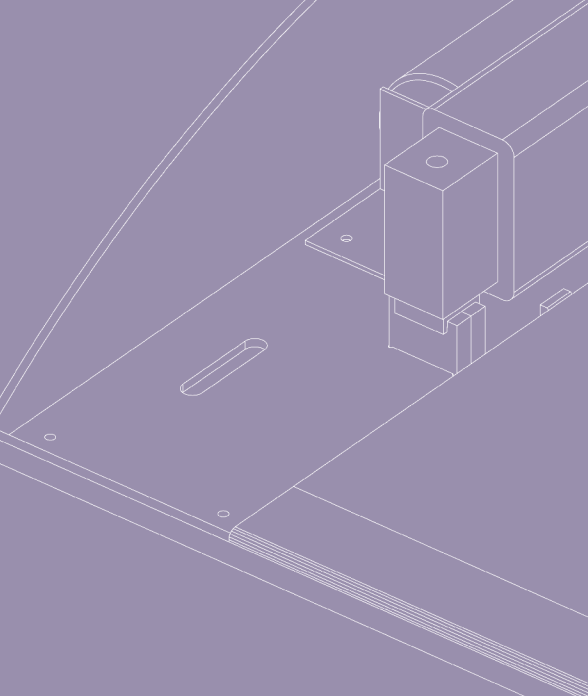
- Electromagnetic (EM) - a fast and efficient solution for (de)activation of EM tail tags, commonly in use in libraries
- RFID (HF) - a fast and efficient solution to read/write RFID HF tags and to set AFI or EAS bits. Conversion software is optional.
- Hybrid EM & RFID - a combination of EM and RFID technology. Conversion software is optional.

All versions can operate in stand-alone- or in host mode.



Sapphire™ Staff Station

Circulation system



Design and functionality

The ergonomic design, the use of sustainable materials and the capacitive touch panel guarantee perfect use of the Sapphire™ staff station unit. By using LIS™ (LED Information Service) the unit gives detailed information to the user about the status of the working process.

The workpad distinguishes 3 color modes:

- BLUE: in operation
- GREEN: access granted, proceed
- RED: cannot proceed

Option

Sapphire Staff Stations are supplied in the standard beige/grey color. Other colors are available on request.

Specifications

Dimensions

- Height : 123 mm
- Width : 538 mm
- Depth : 368 mm

Material: stainless steel, Corian™

Weight: 12 kg

Functions:

EM version: EM activation / deactivation: Check-in / check-out

RFID (HF) version: RFID set / reset EAS or AFI bit, check-in / check-out

Hybrid (EM/HF) version: EM activation / deactivation , RFID set / reset EAS of AFI bit, Check-in / check-out

Compatibility:

Stand alone / host mode

USB interface for communication with the library circulation software (LMS)

Check-in / Check-out materials: Books / Magazines / Media

Standard: ISO 15.693 / 18.000-3.1 / ISO 28560

Certifications: CE / EMC

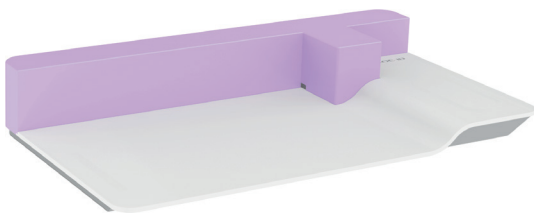
Item protection: EM technology (EM tags)

Item identification: RFID reader (HF tags)

Unit: 12 V DC 2A

Power adapter: 100 – 240V, 0,55-0,3 A 60 / 50 Hz

Environmental facts: Temperature: + 10°C < > 45°C



Color options:





RUBY™ HF STAFF STATION

Circulation system

The best way to manage your valuable library materials

The Ruby™ HF Staff station is designed for converting, programming and identifying HF library labels in books, magazines etc.

Seamless integration of technologies

The Ruby™ HF Staff station is a fast and efficient tool to write or read HF tags and (re)setting the EAS or AFI bit.

The Ruby™ HF Staff station can operate in stand-alone or in host mode. It can be used as a desktop solution or mounted under a (non-metal) desk.

Features:

- Easy to install
- Standard USB connection, power over USB, no external power supplies.
- Remote controlled
- Set/Reset EAS or AFI bit: Check-in / Check-out
- Multi label ID (anti-collision protocol)
- Shielded to work in any environment



RUBY™ HF STAFF STATION

Circulation system

Design and functionality

The ergonomic design and the use of sustainable materials guarantee long lasting and perfect use of the Ruby™ HF Staff station.

Options

The Ruby™ HF Staff station is standard supplied in a white color. More than 100 other colors & designs are available upon request.

Specifications

Dimensions

- Height: 35 mm
- Width: 340 mm
- Depth: 240 mm

Material:

Shielded housing: Stainless steel

Top surface: Corian™

Weight: 3 kg

Functions: Set/Reset EAS or AFI bit: Check-in / Check-out

Software: Dialoc Tools that include special integrated software for conversion and a plug-in.

Compatibility:

Stand-alone / host mode

USB interface for communication with the library software (LMS)

Check-in / Check-out materials: Books / Magazines / Media

Standard: ISO 15.693 / 18.000-3.1 / ISO 28.560

Certifications: CE / EMC

Item protection: EAS or AFI bit

Item identification: RFID (HF) reader (HF tags)

Power: over USB

Environmental facts: Temperature + 10°C <> + 45°C



Color options:





RUBY™ HF CARD READER

The best way to identify your valued patrons

The Ruby™ HF Card reader is designed for identifying library patrons holding a Mifare based patron card.

Seamless integration of technologies

The Ruby™ RFID (HF) Card reader is a fast and efficient solution to identify HF Mifare Cards.

The Ruby™ HF Card reader can operate in stand-alone mode or integrated in the Ruby™ HF Self service unit. The reader can also be perfectly added to the Ruby™ HF Staff station at the staff and/or service desk to complete the workspace with Mifare reading technology.

Features:

- Easy to install
- Standard USB connection, power over USB, no external power supply needed.
- Remote controlled
- Shielded for any environment



RUBY™ HF CARD READER

Design and functionality

The ergonomic design and the use of sustainable materials guarantee perfect use of the Ruby™ HF Card reader.

Options

The Ruby™ HF Card reader is standard supplied in a white color. More than 100 other colors & designs are available upon request.

Specifications

Dimensions

- Height: 22 mm
- Diameter: 90 mm

Material:

Shielded housing: Aluminum

Top surface: Corian™

Weight: 0,2 kg

Functions: Reading member numbers out of Mifare based patron cards

Compatibility:

Stand-alone / host mode

USB interface for communication with the library software (LMS)

Standard: ISO 14443 A / B

Certifications: CE / EMC

Power: over USB

Environmental facts: Temperature + 10°C <> + 45°C



Color options:





Topaz HF Inventory Control Reader

Circulation system

The Dialoc ID Topaz™ is a powerful RFID handheld reader for libraries. It combines excellent reading performance with a compact, convenient size while still managing to be one of the lightest devices of its kind. The device is extremely ergonomic to use, allowing the intensive, yet comfortable use with one hand. The adjustable flexible antenna further increases ergonomics by allowing items at different heights to be scanned with ease.

The Dialoc ID Topaz™ comes with a bright touch screen and an intuitive user interface to guarantee efficient use in a library. Excellent battery capacity allows the device to be easily used through a whole workshift without charging. The software is easily updated, ensuring a long product life cycle.



Topaz HF Inventory Control Reader

Circulation system

The Topaz™ system includes Topaz™ Manager software for staff computers. It allows wireless transfer of item lists between the computer and handheld units. If a WLAN connection is not available, item lists can also be transferred via USB.

The Topaz™ handheld software has four main functions:

1. In inventory mode it is possible to scan for example books on one shelf and create a transfer list of those items.
2. In search mode where a list of items are exported from the library system to the handheld unit, or manually input, when scanning the shelves the handheld will notify you when it finds a listed item.
3. In weeding mode it works opposite to search mode, as the unit will notify you when it detects a non listed item, for instance when a book is on a wrong shelf.
4. In AFI/EAS search mode books can be (de)activated, one by one, or in bulk, or (re)programmed to change the AFI codes.

Specifications

Dimensions:	105x340x265mm (wxdxh).
Material:	ABS black
Weight:	0,72kg
Screen:	3,5" touch
Battery:	Li-ion 7,4V 4800mAh
Charging time:	2,5h (0-90%), 5h (0-100%)
Usage:	Up to 30h intensive use
Barcode scanner:	Integrated
Docking station:	Included (charging/data transfer USB)
Normal read range:	0-40cm
Reading speed:	Up to 40tags per second
Memory:	256MB user accessible flash
Standards:	CE / EMC
Operating system:	Handheld Windows CE 6.0
PC Software:	Windows 7, 8 and 10
Interface:	.csv import/export files
Connections:	WLAN 802.11 b/g, USB via charger, Bluetooth 2.0
Functions:	Inventory, Search, Weed, search AFI/EAS
Frequency:	13,56Mhz.
Light & audio alarm:	yes
EAS and AFI function:	yes
RFID Reader:	yes
Barcode Reader:	yes
RFID standard:	ISO 15693, 18000-3-1
RFID datamodels:	DDM, KATVE, 3M, Dutch, French, ISO 28560





Sapphire™ 24/7 Bookdrop Circulation system

The Sapphire™ 24/7 Bookdrop is a beautiful designed product for libraries to increase efficiency, productivity and service to the public.

Due to the unique technical mechanism, the choice of durable and weatherproof materials, the optimal protection against vandalism and the simple, easy to use user-interface, the unit can be placed inside or outside the library. The Sapphire™ 24/7 Bookdrop allows return of items 24 hours a day, 7 days a week.

In case the Bookdrop will be offline in the network, service will continue and the returns will be buffered in the memory. After getting back online, the unit will automatically synchronize with the Library Management System (LMS) server and register the returns.



Sapphire™ 24/7 Bookdrop

Circulation system

The Sapphire™ 24/7 Bookdrop software is web-based which allows remote monitoring, diagnostics, and servicing from any location. Staff can troubleshoot and get systems statistics while the system integrator can upgrade software, maintain and service the product.

The lighted icon indicators will intuitively guide the user through the return process.

- Step 1:** Scan your book after which the return chute will open.
Step 2: Throw in the book after which the chute will automatically close.
Step 3: The book will be accepted for return and automatically registered in the LMS.
Step 4: The Bookdrop will return to the default position to accept a new returnal.

Features:

- 3D unique vandalism proof returning station
- intuitive returning process for easy use
- flexible, modular concept in timeless design
- SIP2 compatible
- allows 24/7 returning of materials

Specifications

Dimensions

- Front disc: diameter 965mm
- Inside housing: 600mm x 602mm x 530mm (LxHxD)
- Cut-out: 620mm x 622mm x 550mm (LxHxD)

Material: Stainless steel.

Weight: 92 kg

Functions: Return point

Return materials: Books, Magazines, Media

PC OS: Windows7 Embedded

PC: FEC BP-325, RAM 4GB, HDD 2,5"320GB SATA, USB, LAN, VGA connections

Software: pre-installed and pre-configured, supports LMS/ILS protocols on SIP2

EAS and AFI: supported

Datamodels: Danish (ISO 28560/3), Dutch, 3M numeric, 3M alphanumeric, Tagvision.

Certifications: CE/EMC

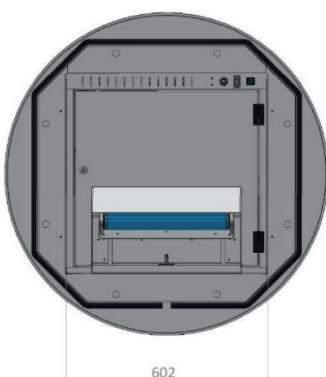
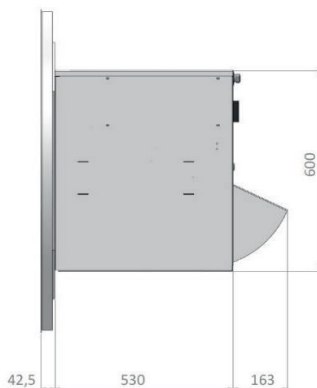
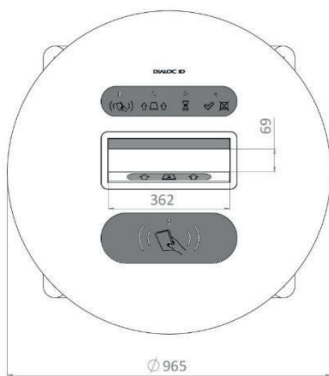
Power: 220~240V

Power cable: length 1,80 mtr.

RFID reader: max. 1Watt, freq. 13,56Mhz., supports ISO 15693, ISO 18000

Communication cable: Standard UTP

Environmental: Temperature +10C ~ +45C



Sapphire™ Bin

Circulation system

Dialoc ID designs and creates optimal effectiveness in material handling in any library environment.

No more bending: easy access to the contents of the trolley for ergonomic working in libraries.

These trolleys are used in libraries for collecting books in combination with sorting machines, bookdrops or similar collection/returning points.

Specifications

Features:

- Sturdy, generously dimensioned edge and floor profile, highstrength positive locking ensures permanent bonding to jacket metal.
- Edge profile reinforced with abrasionresistant plastic padding.
- Trolley with vertically moveable base which keeps the load at constant height for easy access.
- Depending on the trolley type, load capacity can vary from 30 till 150kg in steps of 15kg by means of replaceable lifting elements.
- The moveable base does not tilt, even when loaded on only one side.
- Wheels: 2 swivel and 2 fixed castors, 125mm, 40mm wide, easy running rubber wheels, "nonmarking", ball bearings, thread guards.
- Castors arranged centrally for easy manouvering, even in tiny spaces.
- Anodized

Available dimensions

LxWxH (mm)	Vol (l)	Weight (kg)	Load capacity (kg)
Bin 1) 1060 x 710 x 820	325	24,5	90
Bin 2) 1060 x 470 x 800	195	21	30
Bin 3) 1060 x 650 x 800	280	25	45
Bin 4) 1460 x 750 x 920	570	31,5	150



design | strategy | vision



Dialoc ID Products BV
Daltonstraat 42 – 44, 3846 BX
P.O. Box 311, 3840 AH
Harderwijk, The Netherlands
Tel +31 (0)341 - 42 27 60
Fax +31 (0)341 - 42 50 33
info@dialocid.com
www.dialocid.com