

design | strategy | vision



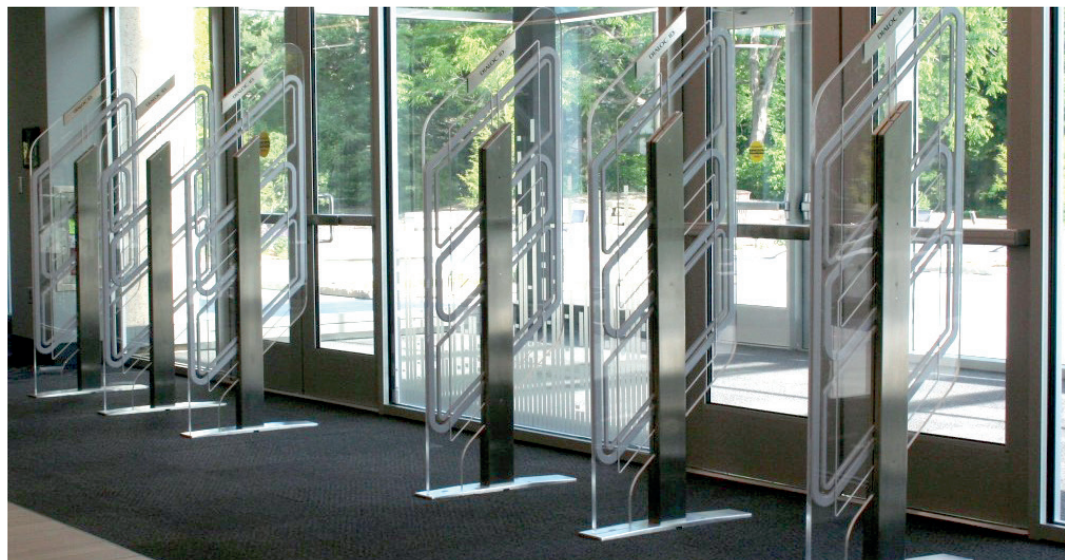
SOLUTIONS FOR EVERY LIBRARY.

Dialoc ID has a history of more than 30 years with library focused sales.

Dialoc ID offers library solutions in EM, RFID (HF & UHF) and Hybrid (EM/HF & EM/UHF) technology. Our products are well-known for their excellent performance, reliability and modern design, that fit every library environment. The Dialoc ID products are sold & installed all around the world.



DialocID global library solutions





Diamond™
EM Premium
EM security
detection system

The Diamond™ EM Premium system reduces unauthorized removal of library items by detecting the EM tags in any orientation.



Diamond™ EM Premium

EM security detection system

With its modern transparent looks – high density plexiglass in combination with a solid stainless steel construction - the Diamond™ EM Premium system gives an extremely luxurious appearance to any library environment.

The Diamond™ EM Premium system reduces unauthorized removal of library items by detecting the EM tags in any orientation.

Specifications

Detection:

Depending on the type and size of EM tag

- Single aisle width System 2: up to 0.90 meter
- Dual aisle width System 3 : up to 1.80 meter

Features

- Fully digital configuration (DSP)
- Visual and audio alarm
- Advanced electromagnetic EM technology
- Remote maintenance
- Magnetic media safe
- Multiple gate solutions are possible

EM specification:

- Operating frequency: 366 Hz.
- Supported tags: all Dialoc ID EM tags and various EM tag suppliers

Option:

- People counter with display

Interface:

CAN

Dimensions:

Antenna: 655 x 100 x 1900 mm (w x d x h)

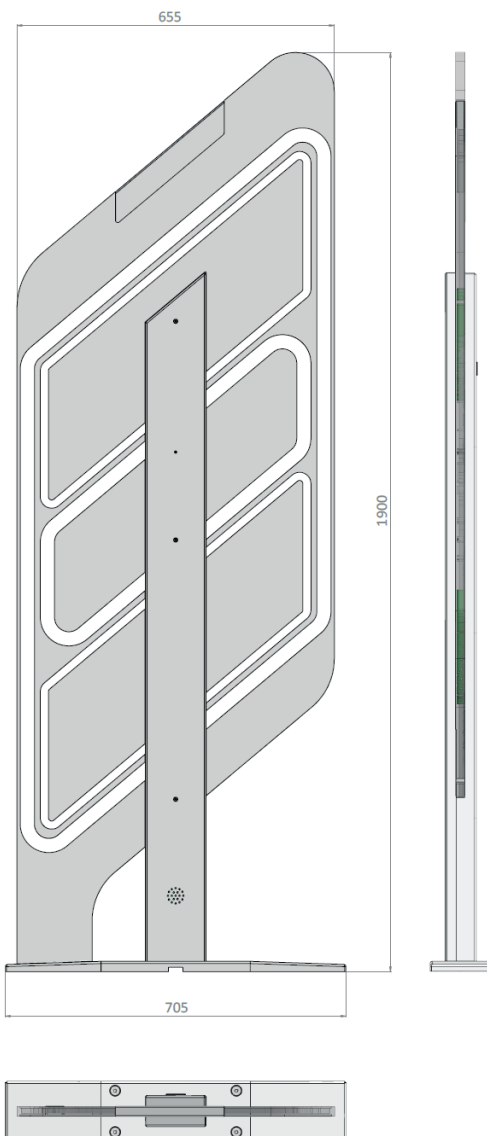
Base : 705 x 120 x 20 mm (w x d x h)

Material:

Panel: High density clear PMMA 20mm plexiglass, weather and UV resistant, 92% light transmission

Base: Stainless steel

Weight: 34kg.





Quartz EM security detection system

The Quartz EM system reduces
unauthorized removal of library items by detecting the
EM labels in any orientation.

Quartz EM

security detection system

With its transparent looks - plexiglass in combination with a solid stainless steel powder coated base construction, the Quartz EM system is a great solution for a modern library environment.

The Quartz EM system reduces unauthorized removal of library items by detecting the EM labels in any orientation.

Specifications

Detection:

Depending on the type and size of EM tag

- Single aisle width System 2: up to 0.90 meter
- Dual aisle width System 3: up to 1.80 meter

Features:

- Fully digital configuration (DSP)
- Visual and audio alarm
- Advanced electromagnetic (EM) technology
- Remote maintenance
- Magnetic media safe
- Multiple gate solutions are possible

EM specification:

Operating frequency: 366 Hz.

Supported tags: all Dialoc ID EM tags and various EM tag suppliers

Certifications: CE / EMC

Option: bi-directional people counter with or without display

Interface:

CAN, Ethernet (TCP/IP) via the USB/Ethernet to CAN bridge tool (optional).

Material:

Panel: Sandwichplate of PMMA 18 mm plexiglass, weather and UV resistant, 92% light transmission

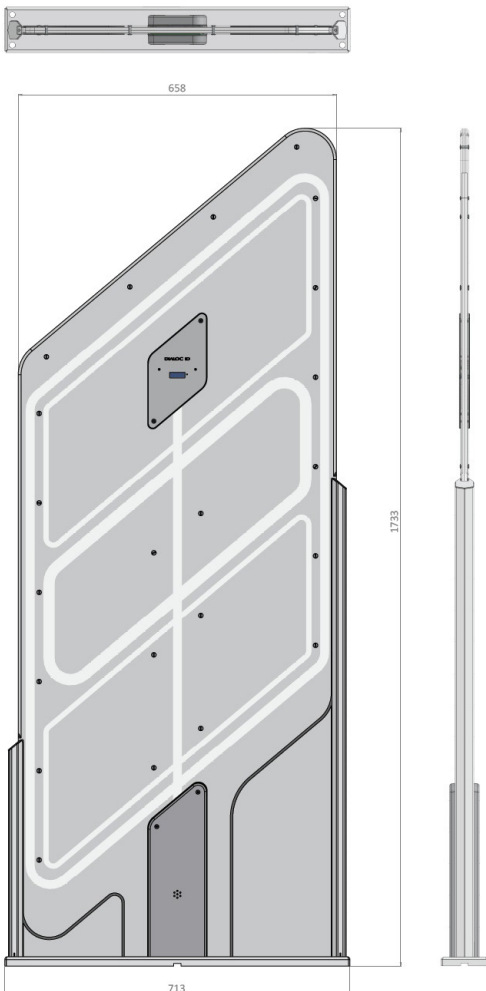
Base : Stainless steel powder coated

Dimensions:

Antenna: . 657,5 x 18 x 1731 mm (w x d x h)

Base: 709 x 96 x 10 mm (w x d x h)

Weight: 32 kg



Ellipse 2020

EM security detection system

The Ellipse 2020 is an already proven and established system in the range of Dialoc ID EM systems. Designed to create optimal effectiveness for security in any library environment.

The Ellipse 2020 system reduces unauthorized removal of library items by detecting EM tags and using high quality advanced EM technology.

Specifications

Defection:

Depending on the type and size of EM tag

- Single aisle width System 2: up to 1.00 meter
- Dual aisle width System 3: up to 2.00 meter

Features

- Fully digital configuration (DSP)
- Visual and audio alarm
- Advanced electromagnetic (EM) technology
- Remote maintenance
- Magnetic media safe
- Multiple gate solutions are possible

EM specification:

- Operating frequency: 366 Hz.
- Supported tags: All Dialoc ID EM tags and various EM tag suppliers

Option:

- People counter with display
- Removable antennabase

Interface:

- CAN

Dimensions:

Antenna: 460T/748B x 44 x 1812 mm. (w x d x h)

Base: 795 x 10 x 15 mm. (w x d x h)

Material:

Antenna: Polyurethane with dove-grey finish

Base : Powder coated aluminum

Weight: 22 kg.





Diamond[™]
RFID Premium
RFID security
detection system

The Diamond[™] RFID Premium system reduces unauthorized removal of library items by detecting the RFID tags in any orientation.



Diamond™ RFID Premium

RFID security detection system

With its modern transparent looks – high density plexiglas in combination with a solid stainless steel construction - the Diamond™ RFID Premium system gives an extremely luxurious appearance to any library environment.

The Diamond™ RFID Premium system reduces unauthorized removal of library items by detecting the RFID tags in any orientation.

Specifications

Detection:

Depending on environment and the size & type of HF tag:

- Single aisle width System 2: up to 1.60 meter
- Dual aisle width System 3 : up to 3.20 meter

* Detection of items depends on environmental factors and on the type and size of label.
Detection range and rates will always be reduced for CD/DVD media that contains metallic elements.
Libraries that wish to get as close to 100% detection, should accept less distance between gates.

Features

- Fully digital configuration (DSP)
- Visual and audio alarm
- Advanced radio frequent identification (RFID) technology
- Remote maintenance
- Magnetic media safe
- Multiple gate solutions are possible

RFID specification:

- Operating frequency: 13,56 MHz.
- Transmitting power: 3 W
- Supported tags: ISO 15693, NXP SLI and NXP SLI X

Option:

- People counter with display

Interface:

Ethernet (TCP/IP), USB, RS232

Dimensions:

Antenne: . . . 655 x 20 x 1900 mm (b x d x h)

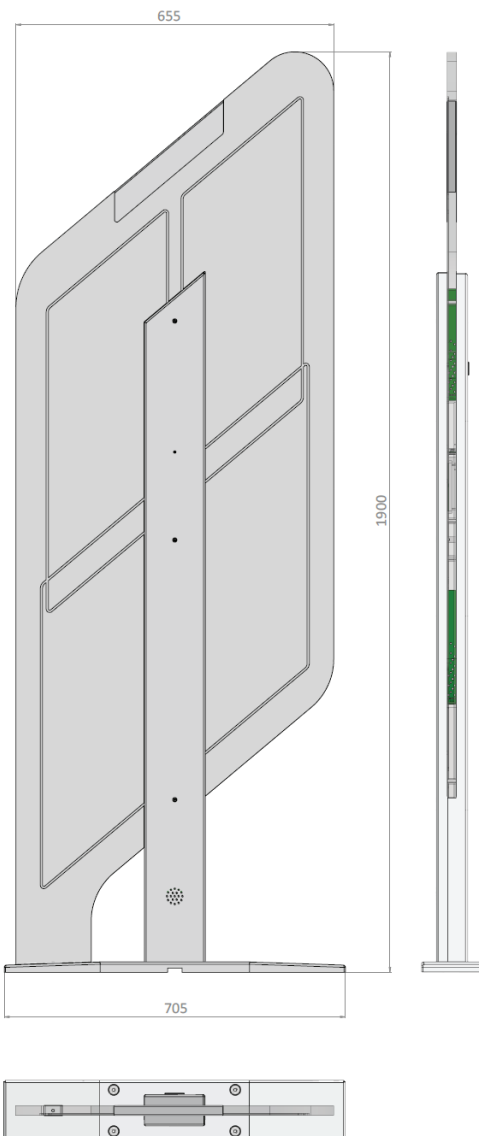
Voet: 705 x 120 x 20 mm (b x d x h)

Material:

Panel: High density clear PMMA 20mm plexiglass, weather and UV resistant, 92% light transmission

Base: Stainless steel

Weight: 32kg.





Quartz RFID security detection system

The Quartz RFID system reduces unauthorized removal of library items by detecting the RFID labels in any orientation.



Quartz RFID

security detection system

With its transparent solid core plexiglass plate in combination with a sturdy stainless steel powder coated base construction, the Quartz RFID system is the perfect solution for a modern library environment.

The Quartz RFID system reduces unauthorized removal of library items by detecting the RFID labels in any orientation.

Specifications

Detection:

Depending on environment and the type & size of tag

- Single aisle width System 2: up to 1.60 meter
- Dual aisle width System 3: up to 3.20 meter

* Detection of items depends on environmental factors and on the type and size of label. Detection range and rates will always be reduced for CD/DVD media that contains metallic elements. Libraries that wish to get as close to 100% detection, should accept less distance between gates.

Features:

- Fully digital configuration (DSP)
- Visual and audio alarm
- Advanced radio frequent identification (RFID) technology
- Remote maintenance
- Magnetic media safe
- Multiple gate solutions are possible

RFID specification:

Operating frequency: 13,56 MHz.

Transmitting power: 3 W

Supported tags: ISO 15693, NXP SLI, NXP SLI-X, NXP SLI-X2

Certifications: CE / EMC

Option: bi-directional people counter with or without display

Interface:

CAN, Ethernet (TCP/IP) via the USB/Ethernet to CAN bridge tool (optional).

Material:

Panel: whole core PMMA 15 mm plexiglass, weather and UV resistant, 92% light transmission

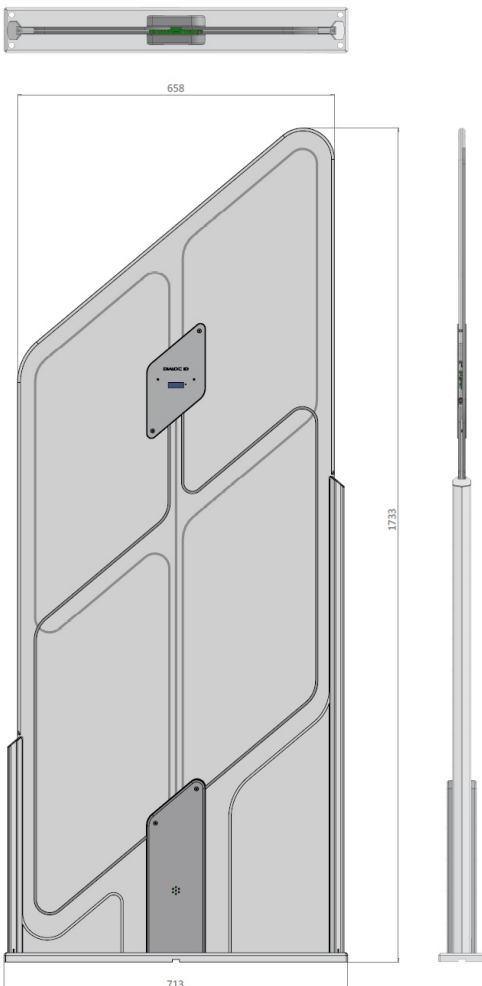
Base : Stainless steel powder coated

Dimensions:

Antenna: . . . 657,5 x 15 x 1731 mm (w x d x h)

Base: 709 x 96 x 10 mm (w x d x h)

Weight: 30 kg





**Diamond™ Hybrid
EM/RFID Premium**
Hybrid security
detection system

The Diamond™ Hybrid Premium system reduces unauthorized removal of library items by detecting the EM & RFID tags in any orientation.



Diamond™ Hybrid EM/RFID Premium

Hybrid security detection system

With its modern transparent looks – high density plexiglass in combination with a solid stainless steel construction - the Diamond™ Hybrid Premium system gives an extremely luxurious appearance to any library environment.

The Diamond™ Hybrid Premium system reduces unauthorized removal of library items by detecting EM & RFID tags in any orientation.

Specifications

Detection:

Depending on the size and type of tag:

- Single aisle width System 2: up to 0.90 meter
- Dual aisle width System 3 : up to 1.80 meter

Features

- Fully digital configuration (DSP)
- Visual and audio alarm
- Advanced electromagnetic EM technology
- Advanced radio frequent identification (RFID) technology
- Remote maintenance
- Magnetic media safe
- Multiple gate solutions are possible

EM / RFID specification:

- Operating frequency: 366 Hz. / 13,56 MHz.
- Supported tags: all Dialoc ID EM tags and various EM tag suppliers
- ISO 15693 RFID tags, NXP SLI and NXP SLI-X

Option:

- People counter with display

Interface:

Ethernet (TCP/IP), USB, RS232, CAN

Dimensions:

Antenna: 655 x 100 x 1900 mm (w x d x h)

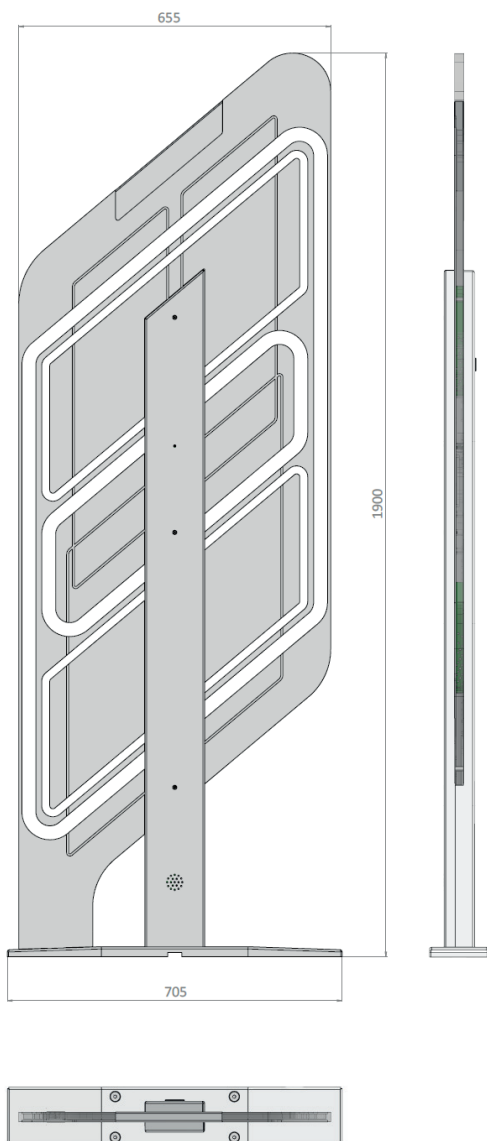
Base : 705 x 120 x 20 mm (w x d x h)

Material:

Panel: High density clear PMMA 20mm plexiglass, weather and UV resistant, 92% light transmission

Base: Stainless steel

Weight: 36 kg.





Sapphire™ EM Self service Circulation system

Today self-service in libraries is a powerful and crucial service to patrons. The Sapphire™ is an ergonomically designed hi-tech self service unit that fits perfectly into the logistic process.

It's modular construction gives all the flexibility to libraries who want to migrate to different identification technology today and in the future.

The Sapphire™ EM Self service seamlessly combines barcoding technology for the identification of items and

patron cards with EM technology for optimal security of items by (de) activating the EM tags after successful registration of items. This simple, one-move handling improves efficiency, accuracy and security in a user friendly environment.

The 22" HD touch screen together with the integrated receipt printer, EM (de)activator, barcode scanners for items and cards are designed in one compact stylish high-quality housing, and therefore easy to relocate in a library.

Sapphire™ EM Self service Circulation system

The Sapphire™ self service unit comes standard with full circulation software including check-in, check-out and renew functions, preconfigured to connect to an LMS (Library Management Software) through SIP2 which is completely supported.

Options

The Sapphire™ self service unit is delivered in beige/grey color. Upon request other colors are available.

Specifications

Dimensions

- Height : 663 mm
- Width : 638 mm
- Depth : 568 mm

Material: stainless steel, PS, high-impact composite

Weight: 37 kg

Functions: Self service: Check -in, check-out

Compatibility: SIP2

Standard: ISO 15.693 / 18.000-3.1 / ISO 28560 / ISO 14443

Certifications: CE / EMC

Check-in / check-out materials: Books / Magazines / Media

Touch PC:

High quality 16: 9 Full HD 22 LCD screen with a wide view angle VA panel. Dust and water proof. (IP65), Chip-set: Intel® QM77, CPU: Intel® 2nd and 3rd generation Intel Core™ i3, i5, i7, mobile processor TPD > 35W

Printer:

Thermal line printing with a 200 dpi print head, print speed of 250mm/second, assuring crisp, clear receipts and eye-catching logos.

Item Identification: 2D barcode imager

Patron identification: 2D barcode imager

Item protection: EM technology. (EM (de) activator)

Software option: Dialoc library software* pre-installed and pre-configured. It supports LMS/1LS protocols SIP2 and is data model independent. Access to the library network via Ethernet is required.

Upon request the Sapphire™ self service unit can be delivered without software.

Power: 230 V

Environmental facts: Temperature: + 10°C <> + 45°C



Color options:





Sapphire™ RFID Self service Circulation system

Today self service in libraries is a powerful and crucial service to patrons. The Sapphire™ is an ergonomically designed hi-tech self service unit that fits perfectly into the logistic process.

It's modular construction gives all the flexibility to libraries who want to migrate to different identification technology today and in the future.

The Sapphire™ RFID self service unit seamlessly combines barcoding- or RFID technology for the identification patron

cards with RFID technology for optimal security of items by (de) activating the RFID tags after successful registration of items. This simple, one-move handling improves efficiency, accuracy and security in a user friendly environment.

The 22" HD touch screen together with the integrated receipt printer, RFID readers and barcode scanners for cards are designed in one compact stylish high-quality housing, and therefore easy to relocate in a library.



Sapphire RFID Self service Circulation system

The Sapphire™ self service unit comes standard with full circulation software including check-in, check-out and renew functions, preconfigured to connect to an LMS (Library Management Software) through SIP2 which is completely supported.

Options

The Sapphire™ self service unit is delivered in beige/grey color. Upon request other colors are available.

Specifications

Dimensions

- Height : 663 mm
- Width : 638 mm
- Depth : 568 mm

Material: stainless steel, PS, high-impact composite

Weight: 31 kg

Functions: Self service: Check -in, check-out

Compatibility: SIP2

Standard: ISO 15.693 / 18.000-3.1 / ISO 28560 / ISO 14443

Certifications: CE / EMC

Check-in / check-out materials: Books / Magazines / Media

Touch PC:

High quality 16: 9 Full HD 22 LCD screen with a wide view angle VA panel. Dust and water proof. (IP65), Chip-set: Intel® QM77, CPU: Intel® 2nd and 3rd generation Intel Core™ i3, i5, i7, mobile processor TPD > 35W

Printer:

Thermal line printing with a 200 dpi print head, print speed 250mm/second, assuring crisp, clear receipts and eye-catching logos.

Item Identification & protection: RFID reader: 13,56 Mhz, ISO 15693

Patron identification: 2D barcode imager or RFID reader 13,56 Mhz, ISO 14443

Item protection: RFID technology (EAS and/or AFI bit)

Software option: Dialoc library software* pre-installed and pre-configured.

It supports LMS/iLS protocols SIP2 and is data model independent.

Access to the library network via Ethernet is required.

Upon request the Sapphire™ self service unit can be delivered without software.

Power: 230 V

Environmental facts: Temperature: + 10°C <> + 45°C



Color options:





Sapphire™ Hybrid EM/RFID Self service Circulation system

Today self service in libraries is a powerful and crucial service to patrons. The Sapphire™ is an ergonomically designed hi-tech self service unit that fits perfectly into the logistic process.

It's modular construction gives all the flexibility to libraries who want to migrate to different identification technology today and in the future.

The Sapphire™ Hybrid self service unit seamlessly combines barcoding- or RFID technology for the identification of patron cards with EM technology for optimal security of items by (de)

activating the EM tags after successful registration of items via RFID book tags.

This simple, one-move handling improves efficiency, accuracy and security in a user friendly environment.

The 22" HD touch screen together with the integrated receipt printer, RFID readers and barcode scanners for cards, EM (de)activator for EM tags and RFID reader for RFID tags are designed in one compact stylish high-quality housing, and therefore easy to relocate in a library.

Sapphire™ Hybrid EM/RFID Self service Circulation system

The Sapphire™ self service unit comes standard with full circulation software including check-in, check-out and renew functions, preconfigured to connect to an LMS (Library Management Software) through SIP2 which is completely supported.

Options

The Sapphire™ self service unit is delivered in beige/grey color. Upon request other colors are available.

Specifications

Dimensions

- Height: 663 mm
- Width: 638 mm
- Depth: 568 mm

Material: stainless steel, PS, high-impact composite

Weight: 37 kg

Functions: Self service: Check -in, check-out

Compatibility: SIP2

Standard: ISO 15.693 / 18.000-3.1 / ISO 28560 / ISO 14443

Certifications: CE / EMC

Check-in / check-out materials: Books / Magazines / Media

Touch PC:

High quality 16: 9 Full HD 22 LCD screen with a wide view angle VA panel. Dust and water proof. (IP65), Chip-set: Intel® QM77, CPU: Intel® 2nd and 3rd generation Intel Core™ i3, i5, i7, mobile processor TPD > 35W

Printer:

Thermal line printing with a 200 dpi print head, print speed of 250mm/second, assuring crisp, clear receipts and eye-catching logos.

Item Identification & protection: RFID reader: 13,56 Mhz, ISO 15693

Patron identification: 2D barcode imager or RFID reader 13,56 Mhz, ISO 14443

Item protection: RFID technology (EAS and/or AFI bit)

Item protection: EM technology. (EM (de) activator)

Software option: Dialoc library software* pre-installed and pre-configured.

It supports LMS/iLS protocols SIP2 and is data model independent.

Access to the library network via Ethernet is required.

Upon request the Sapphire™ self service unit can be delivered without software.

Power: 230 V

Environmental facts: Temperature: + 10°C <> + 45°C



Color options:





RUBY™ RFID SELF SERVICE Circulation system

Today self service in libraries is a powerful and crucial service to patrons.

The Ruby™ RFID Self service unit is a RFID self service device with simplicity in designing and ergonomics. Its modular construction offers the library flexibility in different identification technologies today and in the future.

The Ruby™ RFID Self service unit has a compact design and comes with a bright 22" touch PC and barcode patron card reader.

The pre-loaded software with the full range of check-out, check-in and renew functions is configured for connection to the library LMS through SIP2.

The software also features a mail service to send the transaction messages to the user by email, instead of printing receipts, but it is also possible to add an external printer to it.

The Ruby™ RFID Self service unit can also be equipped with a Mifare card reader or a combination (Mifare / Barcode) all integrated.

RUBY™ RFID SELF SERVICE

Circulation system

The Ruby™ RFID Self service unit comes standard with full circulation software including check-in, check-out and renew functions, preconfigured to connect to a LMS (Library Management System) through SIP2 which is completely supported. The software is SIP3 and NCIP ready once this new standard is valid.

Options

The Ruby™ RFID Self service unit is standard supplied in a white color. More than 100 other colors & designs are available upon request.

Specifications

Dimensions

- Height: 48 mm
- Width: 430 mm
- Depth: 595 mm

Material:

Shielded housing: Stainless steel

Top surface: Stainless steel & high-impact composite

Weight: 20 kg

Functions: Self service: Check-in / Check-out / Renew / Overview

Compatibility: SIP2

Standard: ISO 15.693 / 18.000-3.1 / ISO 28.560 / ISO 14.443

Certifications: CE / EMC

Check-in / check-out materials: Books / Magazines / Media

Touch PC:

High quality 16:9 Full HD 22" LCD touch screen with a wide view angle VA panel. Dust and water proof, (IP65), Chipset: Intel® Bay Trail N2930.

Item Identification & protection: RFID reader: 13,56 Mhz, ISO 15693

Patron identification: 2D barcode imager or RFID reader 13,56 Mhz, ISO 14443

Item protection: RFID technology (EAS and/or AFI bit)

Software option: Upon request the Ruby™ self service unit can be delivered without software.

Power: 230 V

Environmental facts: Temperature: + 10°C <> + 45°C



Color options:





Sapphire™ Staff Station

Circulation system

The best way to manage your valuable library materials

The Sapphire™ Staff Station series is designed for converting, programming and identifying library labels in books, magazines etc.

Seamless integration of technologies

Sapphire™ Staff stations are available in 3 versions:

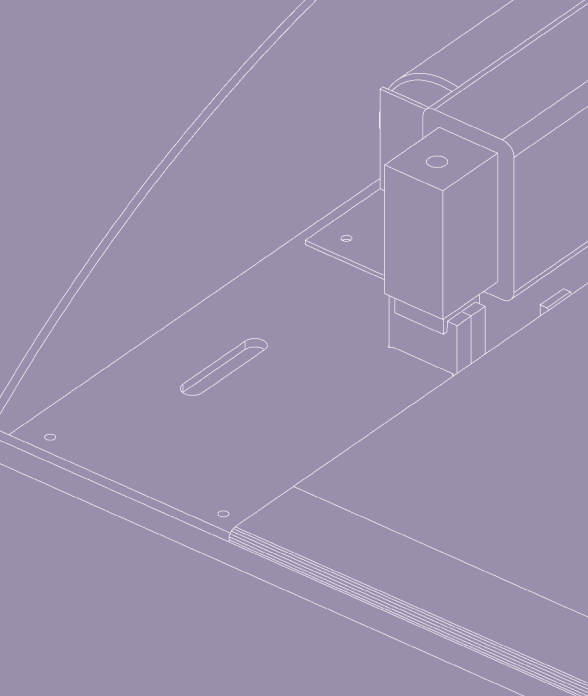
- Electromagnetic (EM) - a fast and efficient solution for (de)activation of EM tail tags, commonly in use in libraries
- RFID (HF) - a fast and efficient solution to read/write RFID tags and to set AFI or EAS bits. Conversion software is optional.
- Hybrid EM & RFID - a combination of EM and RFID technology. Conversion software is optional.

All versions can operate as stand-alone or in host mode.



Sapphire™ Staff Station

Circulation system



Design and functionality

The ergonomic design, the use of sustainable materials and the capacitive touch panel guarantee perfect use of the Sapphire™ staff station unit. By using LIS™ (LED Information Service) the unit gives detailed information to the user about the status of the working process.

The workpad distinguishes 3 color modes:

- BLUE: in operation
- GREEN: access granted
- RED: access not granted

Option

Sapphire Staff Stations are supplied in the standard beige/grey color. Other colors are available on request.

Specifications

Dimensions

- Height : 112 mm
- Width : 544 mm
- Depth : 358 mm

Material: Stainless steel, PS, high-impact composite

Weight: 12 kg

Functions:

EM version: EM activation / deactivation: Check-in / check-out

RFID (HF) version: RFID set / reset EAS or AFI bit, check-in / check-out

Hybrid (EM/HF) version: EM activation / deactivation , RFID set / reset EAS of AFI bit, Check-in / check-out

Compatibility:

Stand alone / host mode

USB interface for communication with the library circulation software (LMS)

Check-in / Check-out materials: Books / Magazines / Media

Standard: ISO 15.693 / 18.000-3.1 / ISO 28560

Certifications: CE / EMC

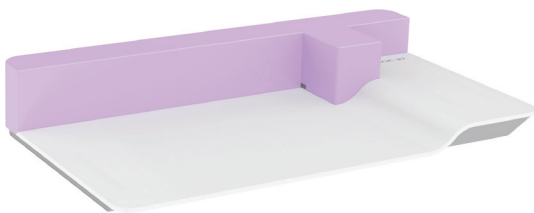
Item protection: EM technology (EM tags)

Item identification: RFID reader (HF tags)

Unit: 12 V DC 2A

Power adapter: 100 – 240V, 0,55-0,3 A 60 / 50 Hz

Environmental facts: Temperature: + 10°C < > 45°C



Color options:





Shielded

RUBY™ RFID STAFF STATION

Circulation system

The best way to manage your valuable library materials

The Ruby™ RFID Staff station is designed for converting, programming and identifying library labels in books, magazines, DVD's etc.

Seamless integration of technologies

The Ruby™ RFID Staff station is a fast and efficient tool to write or read HF tags and (re)setting the EAS or AFI bit.

The Ruby™ RFID Staff Station can operate in stand-alone or in host mode. It can be used as a desktop solution or mounted under a (non-metal) desk.

The Ruby™ RFID Staff Station is available in 3 versions:

- Table top model shielded
- Table top model
- Undercounter model

Features:

- Easy to install
- Standard USB connection, power over USB, no external power supplies.
- Set/Reset EAS or AFI bit: Check-in / Check-out
- Multi label ID (anti-collision protocol)
- Designed to work in any environment

Option

The Ruby™ RFID Staff station is standard supplied in a white color. Different colors are available upon request.



RUBY™ RFID STAFF STATION

Circulation system

Design and functionality

The ergonomic design and the use of sustainable materials guarantee long lasting and perfect use of the Ruby™ RFID Staff station.

Options

The Ruby™ RFID Staff station is standard supplied in a white color. Other colors are available upon request.

Specifications

	Shielded	Table top	Undercounter
Dimensions LxWxH (mm)	300 x 210 x 27	300 x 210 x 13	300 x 210 x 13
Weight (kg)	1,8	1,2	1,2
Top surface (material)	high-impact composite	high-impact composite	PVC
Bottom (material)	RVS	PVC	PVC

Functions: Set/Reset EAS or AFI bit: Check-in / Check-out

Software:

YourLib® Staff Station software including YourLib® ID Converter and a handy plug-in.

Optional: YourLib® Advanced Repair Software is a software to repair faulty converted tags.

Compatibility:

Stand-alone / host mode

USB interface for communication with the library software (LMS)

Check-in / Check-out materials: Books / Magazines / Media

Standard: ISO 15.693 / 18.000-3.1 / ISO 28560-2 / ISO 28560-3

Certifications: CE / EMC

Item protection: EAS or AFI bit

Item identification: RFID (HF) reader (HF tags)

Power: over USB

Environmental facts: Temperature + 10°C <> + 45°C



Table top



Undercounter

Color options:





RUBY™ RFID CARD READER

The best way to identify your valued patrons

The Ruby™ RFID Card reader is designed for identifying library patrons holding a Mifare based patron card.

Seamless integration of technologies

The Ruby™ RFID Card reader is a fast and efficient solution to identify HF Mifare Cards.

The Ruby™ RFID Card reader can operate in stand-alone mode or integrated in the Ruby™ RFID Self service unit.

The reader can also be perfectly added to the Ruby™ RFID Staff station at the staff and/or service desk to complete the workspace with Mifare reading technology.

Features:

- Easy to install
- Standard USB connection, power over USB, no external power supply needed.
- Remote controlled
- Shielded for any environment



RUBY™ RFID CARD READER

Design and functionality

The ergonomic design and the use of sustainable materials guarantee perfect use of the Ruby™ RFID Card reader.

Options

The Ruby™ RFID Card reader is standard supplied in a white color. More than 100 other colors & designs are available upon request.

Specifications

Dimensions

- Height: 22 mm
- Diameter: 90 mm

Material:

Shielded housing: Aluminum

Top surface: Corian™

Weight: 0,2 kg

Functions: Reading member numbers out of Mifare based patron cards

Compatibility:

Stand-alone / host mode

USB interface for communication with the library software (LMS)

Standard: ISO 14443 A / B

Certifications: CE / EMC

Power: over USB

Environmental facts: Temperature + 10°C <> + 45°C



Color options:





Topaz™ RFID handscanner Inventory

The Dialoc ID Topaz™ is a powerful RFID handheld reader for libraries. It combines excellent reading performance with a compact, convenient size while still managing to be one of the lightest devices of its kind. The device is extremely ergonomic to use, allowing the intensive, yet comfortable use with one hand. The complementary SearchLib® Server is a web server that synchronizes all modifications on lists, catalogues and search lists and will utilize updates on the handheld allowing users to use the software in any place.

The Topaz™ RFID handscanner comes with a bright touch screen and an intuitive user interface to guarantee efficient use in a library. Excellent battery capacity allows the device to be easily used through a whole workshift without charging. The software is easily updated, ensuring a long product life cycle.



Topaz™ RFID handscanner

Inventory

The Topaz™ system includes SearchLib® Server software and a SearchLib® App. It allows wireless transfer of item lists and data between the server and the handheld unit(s). If a WLAN connection is not available, data transfer can also be done via USB.

The Topaz™ SearchLib® App has four main functions:

1. In Inventory mode it is possible to scan for example books on one shelf and transfer the data to the server at high speed.
2. In Search mode, the search data is exported from the LMS into handy search lists, and transferred from the server to the handheld(s). The user will be notified with visible (on screen), audio (beep) and vibration signals when a search item is detected and listed.
3. In Misplaced mode it works opposite to search mode, as the unit will notify the user when a non listed item is detected, for instance when a book is on the wrong shelf.
4. In AFI/EAS mode items can be (de)activated or (re)programmed to change AFI and/or EAS codes, one by one, or in bulk.

Furthermore the SearchLib® App features filtering possibilities to specific unique search criteria.

Specifications

Dimensions:	98x190x150mm (WxLxD)
Material:	ABS black
Weight:	540 grams
Screen:	3,5"touch
Battery:	Li-ion 3,8V 4500mAh
Charging time:	2,5h (0-90%), 5h (100%)
Usage:	Stand-by 26hrs, full continuous use min. 10hrs
Barcode Scanner:	Integrated 1-D Laser scanner
Docking Station:	Optional (USB + extra battery charger)
Normal Read range:	up to 30cm (with 50x80 Dialoc ID booktags) on high power
Reading Speed:	up to 40 tags per second
Memory:	2GB RAM, 10GB ROM
SSD expansion:	max. 32GB
Standards:	CE/EMC
Operating system:	Android 7.0
Kernel:	3.18.35+
SIM:	2 x for 4G connections
SearchLib Server:	to be installed on Windows7 64bit or higher computer, additional requirements: Node.js and Mongo DB3.4
Interfaces:	.csv, excel and text files for import/export
Connections:	WLAN 802.11 b/g/n 2,4 & 5,0Ghz., USB, charger, Bluetooth 4.0
Functions:	Inventory, Search, Misplaced, AFI/EAS
Frequency:	13,56Mhz.
Alarms:	Visual, Audio, Vibration
EAS and AFI function:	yes
RFID reader:	yes
Barcode Reader:	yes
RFID standard:	ISO 15693, ISO 18000-3-1
RFID datamodels:	Auto, ISO fixed, Danish, Alphanumeric 3M, Numeric 3M, Dutch





Sapphire™ 24/7 Bookdrop Circulation system

The Sapphire™ 24/7 Bookdrop is a beautiful designed product for libraries to increase efficiency, productivity and service to the public.

Due to the unique technical mechanism, the choice of durable and weatherproof materials, the optimal protection against vandalism and the simple, easy to use user-interface, the unit can be placed inside or outside the library. The Sapphire™ 24/7 Bookdrop allows return of items 24 hours a day, 7 days a week.

In case the Bookdrop will be offline in the network, service will continue and the returns will be buffered in the memory. After getting back online, the unit will automatically synchronize with the Library Management System (LMS) server and register the returns.



Sapphire™ 24/7 Bookdrop

Circulation system

The Sapphire™ 24/7 Bookdrop software is web-based which allows remote monitoring, diagnostics, and servicing from any location. Staff can troubleshoot and get systems statistics while the system integrator can upgrade software, maintain and service the product.

The lighted icon indicators will intuitively guide the user through the return process.

Step 1: Scan your book after which the return chute will open.

Step 2: Throw in the book after which the chute will automatically close.

Step 3: The book will be accepted for return and automatically registered in the LMS.

Step 4: The Bookdrop will return to the default position to accept a new returnal.

Features:

- 3D unique vandalism proof returning station
- intuitive returning process for easy use
- flexible, modular concept in timeless design
- SIP2 compatible
- allows 24/7 returning of materials

Specifications

Dimensions

- Front disc: diameter 965mm
- Inside housing: 600mm x 602mm x 530mm (LxHxD)
- Cut-out: 620mm x 622mm x 550mm (LxHxD)

Material: Stainless steel.

Weight: 92 kg

Functions: Return point

Return materials: Books, Magazines, Media

Dimensions of items that can be sorted:

Maximum dimension: 360mm x 360mm x 65mm (length x width x thickness)

Minimum dimension: 100mm x 80mm x 3mm (length x width x thickness)

PC OS: Windows7 Embedded

PC: FEC BP-325, RAM 4GB, HDD 2,5"320GB SATA, USB, LAN, VGA connections

Software: pre-installed and pre-configured, supports LMS/ILS protocols on SIP2

EAS and AFI: supported

Datamodels: Danish (ISO 28560/3), Dutch, 3M numeric, 3M alphanumeric, Tagvision.

Certifications: CE/EMC

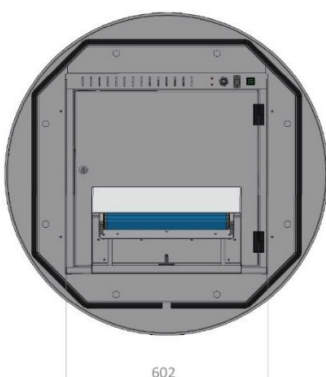
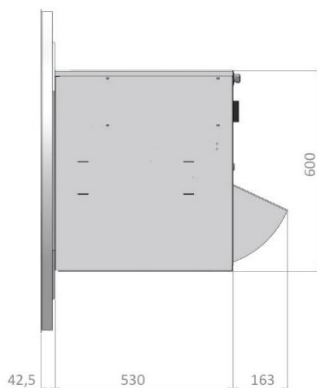
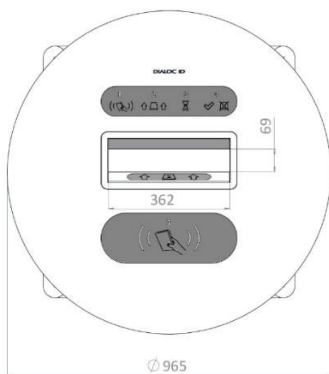
Power: 220~240V

Power cable: length 1,80 mtr.

RFID reader: max. 1Watt, freq. 13,56Mhz., supports ISO 15693, ISO 18000

Communication cable: Standard UTP

Environmental: Temperature +10C ~ +45C



Sapphire™ Bin

Circulation system

Dialoc ID designs and creates optimal effectiveness in material handling in any library environment.

No more bending: easy access to the contents of the trolley for ergonomic working in libraries.

These trolleys are used in libraries for collecting books in combination with sorting machines, bookdrops or similar collection/returning points.

Specifications

Features:

- Sturdy, generously dimensioned edge and floor profile, highstrength positive locking ensures permanent bonding to jacket metal.
- Edge profile reinforced with abrasionresistant plastic padding.
- Trolley with vertically moveable base which keeps the load at constant height for easy access.
- Depending on the trolley type, load capacity can vary from 30 till 150kg in steps of 15kg by means of replaceable lifting elements.
- The moveable base does not tilt, even when loaded on only one side.
- Wheels: 2 swivel and 2 fixed castors, 125mm, 40mm wide, easy running rubber wheels, "nonmarking", ball bearings, thread guards.
- Castors arranged centrally for easy manouvering, even in tiny spaces.
- Anodized

Available dimensions

LxWxH (mm)	Vol (l)	Weight (kg)	Load capacity (kg)
Bin 1) 1060 x 710 x 820	325	24,5	90
Bin 2) 1060 x 470 x 800	195	21	30
Bin 3) 1060 x 650 x 800	280	25	45
Bin 4) 1460 x 750 x 920	570	31,5	150





Ruby™ Pro AMH System Circulation system

Sorting out returned library materials by manual labor is time consuming thus costly for libraries. The Ruby™ Pro AMH (Automated Materials Handling) System is the perfect solution to automate the return process.

Architecture

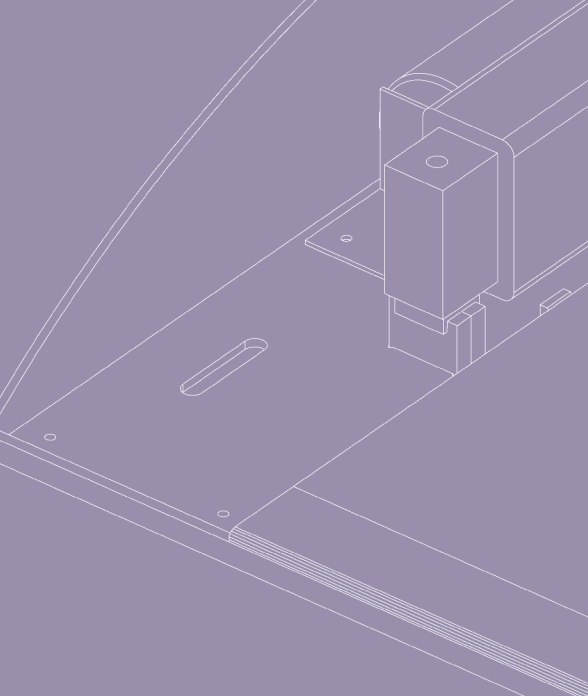
The Ruby™ Pro AMH System was developed after intensive study and experience and can be equipped with indoor return points or the Sapphire™ 24/7 Bookdrop. The modular system architecture enables design of 2, 3, 5, 7 etc. sorting positions. Each sorting position requires

a tailor made sorting bin that fits the job. The bin has a moving bottom that protects materials from falling all the way down with the risk to get damaged and yet hold maximum content of materials. The light weighted bins are made of aluminum for maximum handling freedom.



Ruby™ Pro AMH System

Circulation system



Front System

The indoor return point of the Ruby™ Pro or the Sapphire™ 24/7 Bookdrop recognizes library materials (books or AV materials) with a RFID tag and opens the hatch. The user friendly light indication system (LIS) will guide the user through the return process.

System details

The Ruby™ Pro takes care of returned materials in a fast and easy way and can easily handle 1500 materials per hour. The sorter is build up in modules, each module is capable of feeding 2 or 3 sorting bins. Modules are daisy chained to add 2 extra sorting positions per module.

The modules can handle even the smallest / thinnest magazines or books flawlessly because of the fully closed 2-belt system instead of the rollers and straps generally used in traditional sorting machines. Blue indicator lights inform the library staff of the sorter operation status and the load levels of the bins.

Specifications

Material: Aluminum and stainless steel.

Maximum item dimensions:

Height: 400 mm
Width: 400 mm
Thickness: 65 mm

Minimum item dimensions:

Height: 100 mm
Width: 80 mm
Thickness: 3 mm



Square Bookdrop



Round Bookdrop



2-Belt system

Ground surface: 750 x 500 mm (each module)

Electrical supply: Depends on the number of modules

Max 450 Watt / module Standby : 40 Watt

Weight: 50 kg (each module)

Air supply: None

Theoretical capacity: 1500 items / Hr.

Compatibility: 13,56 MHz, ISO 15693 / ISO 18000-3.1

Software: Software is delivered pre-installed and pre-configured. Supports LMS/ILS protocols SIP2 and is data model independent.

Network: 1 x 10/100 MB RJ45

Operating system : Sigmatek OS

Service: Dedicated VPN connection

Energy: The bin sorter is designed to be very energy efficient. In standby it uses 40 watt per module

Mounting/installation: In-wall mounting

Standards / certification: CE / EMC Compliant, EN 1050-1 Compliant



SECURAXESS™ PC-ACCESS

Secure your PC's against unauthorized access.

The best way to prevent staff PC's to leak data information about your valued customers because of unauthorized access, is to install the SecuraXess™ application in combination with the Ruby™ HF Card reader.

The Ruby™ HF Card reader is designed for identifying staff holding a Mifare card and operates in stand-alone mode. The PC SecuraXess™ application only unlocks the screen when a valid card is put on the Ruby™ reader; SecuraXess™ locks the screen immediately after taking away the card. It regulates and simplifies the protection of customer data under the new EU privacy law GDPR (General Data Protection Regulation) which becomes enforceable from 25 May 2018.

Features:

- Easy to install
- Standard USB connection
- Power over USB, no external power supply needed
- Remote controlled
- Shielded for any environment

EM library tags

The best way to have control over your valuable library materials.

In order to meet the libraries demand in handling the tagging process as efficiently as possible, Dialoc ID has developed the Library Tag Program. The program includes a wide variety of EM tags for different applications.

EM tags in different sizes and finishes are available to protect all materials in the library. Once protected by an EM library tag, these materials can circulate safely. The use of high quality EM tags ensures many years of reliable performance.

EM Tail tags

Dialoc ID has several choices, where it concerns our EM Library tail tags. These tail tags can be used to secure books, valuable items and other media in the library. We strive for an easy job for the librarians who apply the tail tags, where detection performance is as high as possible. Our PH-neutral tail tag will not yellow the book on the long term or damage it chemically. Besides this, our tail tags perform well with other brands than Dialoc ID.

Specifications:

- PH-neutral (little or no acidic or alkaline properties)
- Special Paper
- High quality magnetic detection material
- Advanced High Performance (AHP) Library Tag (Dialoc ID's Standard EM tag)

The available EM tail tags from Dialoc ID can be distinguished in two ways;

- Length
- Position of application

Length 125mm or 165mm:

- 125mm will work perfectly with the Dialoc ID EM systems
- 165mm will be advised for optimum performance for EM systems from other suppliers

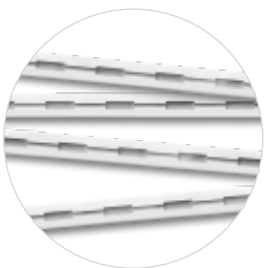
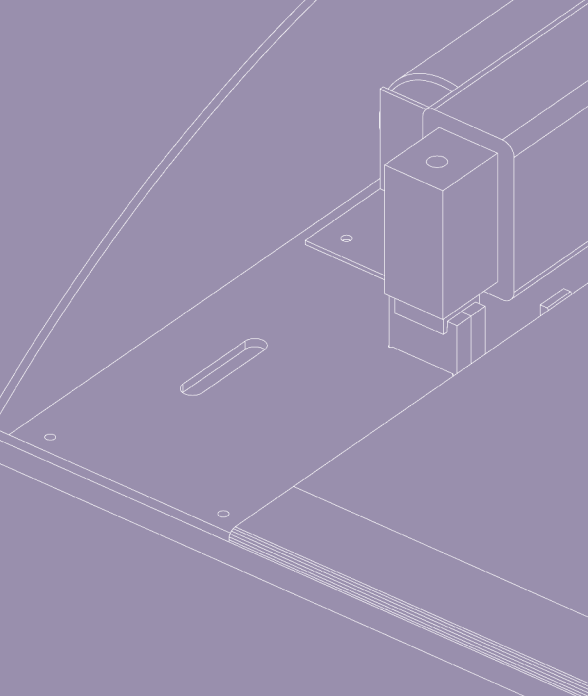
Position of application: DSA or SSA tag:

- In the gutter of the book; Double Side Adhesive (DSA)
- In the spine of the book; Single Side Adhesive (SSA)

EM CD/DVD labels

Compact Discs (DVD, CD, CD-ROM's, are protected by applying a CD protection label with integrated EM security strip directly to the disc and are available for circulating and non-circulating collections.

- Standard size tags: Ø114 mm with 95 mm length security tag



EM tail tags



EM CD/DVD labels





RFID Book Labels

Libraries can enhance their productivity, by identifying, registering, securing and searching all their media with our special designed RFID labels that are equipped with the ICODE SLIX2 IC (ISO 15693). The library can benefit from top quality tags with longer read ranges, to perform a lifetime on their media. RFID labels are a very important part of the solution and without knowledge and understanding of this, the wrong choice can really ruin your total investment.

Dialoc ID RFID book labels are made with an optimal designed aluminum antenna for best performance in the gates, pre-tuned to be used inside and on top of books. The attached ICODE SLIX2 IC (ISO 15693) chip is the best suitable and widely available in the world, and guarantees long life. The data retention (=ability to hold stored data) of the chip is considered to be one of the best. The label top is made of special material for optimal hygroscopic properties, so that moist will not get in the tag and destroy your read range.

Our acid free adhesives prevent that your valuable books are destroyed.

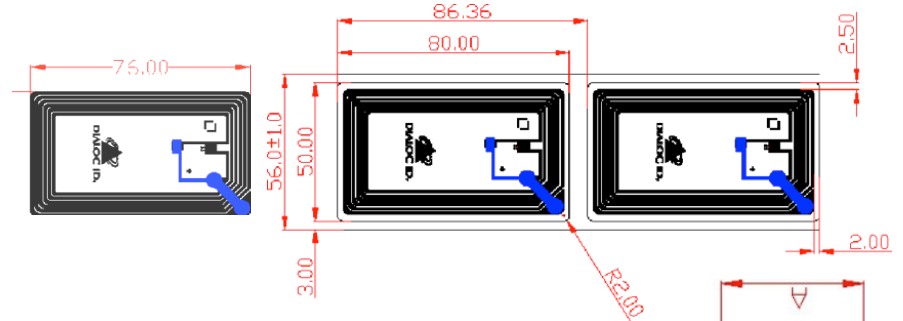
Dialoc ID RFID book labels are optionally available with printed logos, in monochrome or full color. Moreover, tags can be preprinted with barcodes and the chip can be encoded with data. We have advanced software to process and program that data. Get informed about the possibilities and ask our staff how we can be of service to you.

RFID Book Labels

Booklabel 50 x 80mm

ISO 15693, ISO 18 000-3 Mode-1

NXP ICODE SLIX2 IC



Mechanical dimensions:

Antenna size:	45 x 76 mm
Tolerance:	+0.5 mm
Die-cut size:	50 x 80 mm
Tolerance:	+ 0.5 mm
Pitch, length:	86.36 mm
Die-cut to web edge:	3,0 mm
Die-cut radius:	2,0 mm
Antenna to Die-cut length:	2,0 mm +/- 0,5 mm
Antenna to Die-cut width:	2,5 mm +/- 0,5 mm

Reel Details:

Web width (A):	56 mm +/- 1 mm (A)
Inner core diameter (B):	76 mm (B)
Core thickness (C):	6 - 8 mm (C)

Product structure:

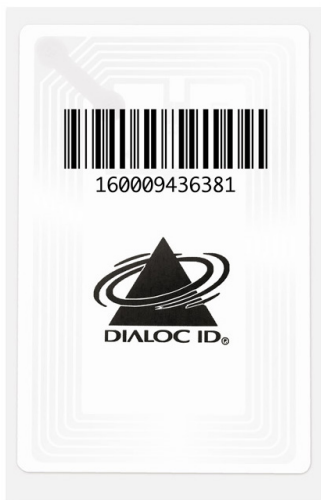


Electrical Specification:

Manufacturer / IC: NXP ICODE SLIX2
 Substrate material: PET
 Antenna Process Mode: Aluminum Etching
 Protocol: ISO / IEC / 15693
 Memory: 2.5 Kbit
 Operating Frequency: 13.56 MHz
 Working mode: passive
 Data Retention: 100.000 cycles (50 years)

Environmental requirement:

Operating temperature / Humidity: -40 ~ +85 C / 20% ~ 60% RH
 Storage temperature / Humidity: -40 ~ +85 C / 20% ~ 60% RH
 Product quality warranty: at 20 ~ 30 C / 20% ~ 60% RH
 1 year in closed antistatic bags

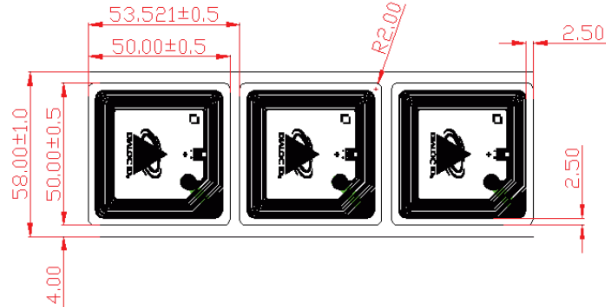


RFID Book Labels

Booklabel 50 x 50mm

ISO 15693, ISO 18 000-3 Mode-1

NXP ICODE SLIX2 IC

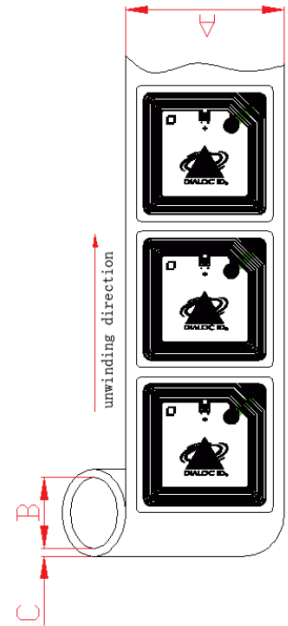


Mechanical dimensions:

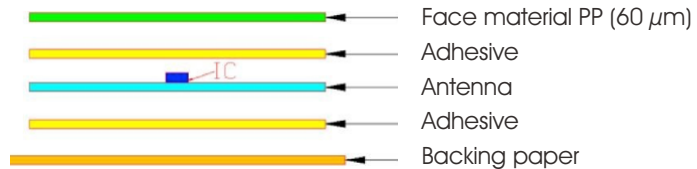
Antenna size:	45 x 45 mm
Tolerance:	+0.5 mm
Die-cut size:	50 x 50 mm
Tolerance:	+ 0.5 mm
Pitch, length:	53,52 mm
Die-cut to web edge:	4,0 mm
Die-cut radius:	2,0 mm
Antenna to Die-cut length:	2,5 mm +/- 0,5 mm
Antenna to Die-cut width:	2,5 mm +/- 0,5 mm

Reel Details:

Web width (A):	58 +/- 1mm (A)
Inner core diameter (B):	76 mm (B)
Core thickness (C):	6-8 mm (C)



Product structure:



Electrical Specification:

Manufacturer / IC: NXP ICODE SLIX2
 Substrate material: PET
 Antenna Process Mode: Aluminum Etching
 Protocol: ISO / IEC / 15693
 Memory: 2.5 Kbit
 Operating Frequency: 13.56 MHz
 Working mode: passive
 Data Retention: 100.000 cycles (50 years)

Environmental requirement:

Operating temperature / Humidity: -40 ~ +85 C / 20% ~ 60% RH
 Storage temperature / Humidity: -40 ~ +85 C / 20% ~ 60% RH
 Product quality warranty: at 20 ~ 30 C / 20% ~ 60% RH
 1 year in closed antistatic bags



RFID CD/DVD labels

In order to meet the libraries demand in handling the tagging process as efficiently as possible, Dialoc ID has developed the Library Tag Program.

The program includes a wide variety of EM & RFID tags including RFID CD/DVD labels for different applications. Tags with different sizes and finishes are available to protect the expanding media formats in libraries. Once protected by an EM and/or RFID library tag, media can circulate safely. The use of high quality tags ensures many years of reliable service.

Compact Discs (Blu-ray CD, DVD, CD, CD-ROM's) are protected by applying a CD protection label with integrated RFID chip directly to the disc and are available for circulating and non-circulating collections.

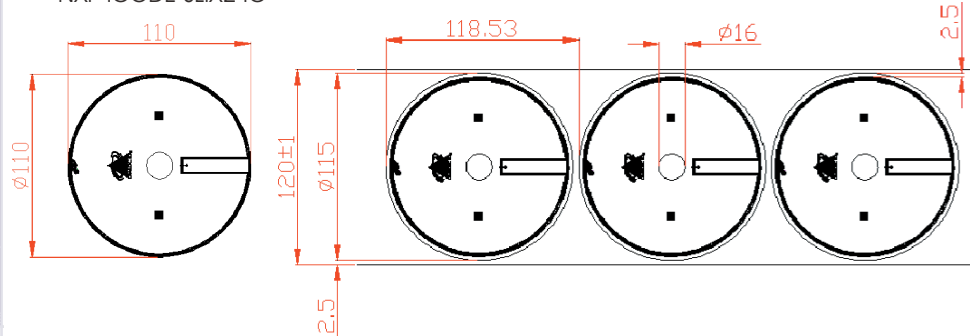


RFID CD/DVD label

RFID CD/DVD label Ø 110 mm

ISO 15693, ISO 18 000-3 Mode-1

NXP ICODE SLIX2 IC



Mechanical dimensions:

Antenna size:	Ø 110 mm
Tolerance:	+0.5 mm
Die-cut size:	120 mm
Tolerance:	+/- 1 mm
Pitch, length:	118.53 mm
Die-cut to web edge:	2,5 mm
Antenna to Die-cut length:	2,5 mm +/- 0,5 mm

Reel Details:

Web width (A):	120+/- 1mm
Inner core diameter (B):	76 mm
Core thickness (C):	6 - 8 mm

Product structure:

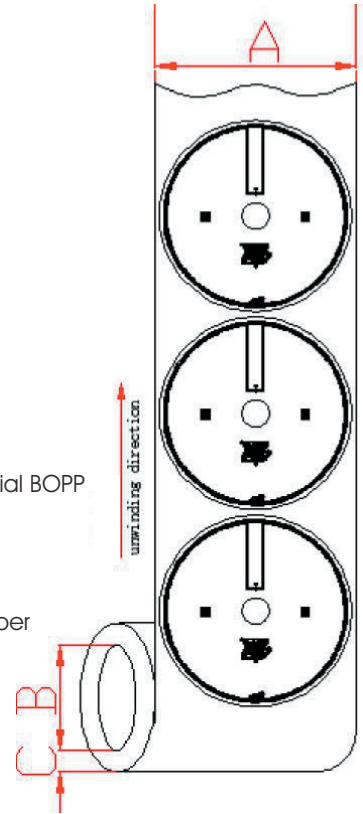


Electrical Specification:

Manufacturer / IC: NXP ICODE SLIX2
 Substrate material: PET
 Antenna Process Mode: Aluminum Etching
 Protocol: ISO / IEC / 15693
 Memory: 2.5 Kbit
 Operating Frequency: 13.56 MHz
 Working mode: passive
 Data Retention: 100.000 cycles (50 years)

Environmental requirement:

Operating temperature / Humidity: -40 ~ +85 C / 20% ~ 60% RH
 Storage temperature / Humidity: -40 ~ +85 C / 20% ~ 60% RH
 Product quality warranty: at 20 ~ 30 C / 20% ~ 60% RH
 1 year in closed antistatic bags



design | strategy | vision



Dialoc ID Products BV
Daltonstraat 42 – 44, 3846 BX
P.O. Box 311, 3840 AH
Harderwijk, The Netherlands
Tel +31 (0)341 - 42 27 60
Fax +31 (0)341 - 42 50 33
info@dialocid.com
www.dialocid.com